

Summer Bulletins – Friday 16th July 2021

Message from Mrs Ducker – Executive Headteacher and Miss Boman – Acting Assistant Headteacher

Dear Parents and Carers,

I cannot believe that this is the last summer bulletin of a very unusual year. I am extremely proud at how well our children, families and teams have supported each other to ensure we have remained safe and well following the changing guidance that has come throughout the year. Our children have brought the joy back into schools, especially when we could open to everyone, and our staff transitioned from teaching some children in school and remote learning to having all children back in school and identifying everyone's different starting points. None of this would have been possible if we were not able to have worked together as a strong community; 'the health of our society depends on our ability to engage others' perspectives and come to new understandings through dialogue.' Thank you. *Mrs Ducker*

Wednesday 21st July is our last day of term and will also be **WELLBEING WEDNESDAY**. This will also be a **NON-UNIFORM** Day, a suggested donation of a £1 can be paid through Tucasi to raise money for New Beginnings, our local homeless charity.

Class teachers have planned a range of wellbeing activities for the day within each class and year group bubble.

On Wednesday I shall also be sending out a letter to explain any changes to processes and procedures following changes to government guidelines in schools and how that impacts the day to day running for us at Civitas Academy from September 2021; until then all procedures remain the same until the end of term.

All the staff at Civitas Academy are so excited to start planning our Global Curriculum for September. We are very fortunate to be a diverse school and we want to encourage the children to celebrate their identity and learn about other religions and cultures around the world. We will be guiding the children to be global citizens. One global learning theme that will be part of our curriculum is social justice and equity. As adults, we have seen in the news this week the aftermath of the England vs Italy game where football players were subject to social injustice due to their skin colour. We have also been supporting the KS2 children this week, with strategies to stand up for their friends when they know something is not right. We would love if you could go to the mural that is at the top of Bedford Road and engage in discussions about the diversity of Oxford Road and how they can be more inclusive of others' cultures. *Miss Boman*.



Celebrations and Achievements

Star of the Week

Reception:		
Elmer	🌟Juliana🌟	For settling back in well and for working hard in phonics this week.
Paddington	🌟Isla🌟	For much improved sitting on the carpet this week and for trying hard with her writing.
Key Stage 1:		
Gruffalo:	🌟Anjana🌟	For settling in well and working especially hard to improve her phonics.
Pinocchio:	🌟Ryan🌟	For working towards being ready, respectful and safe.
BFG:	🌟Grzegorz🌟	For showing kindness towards others and for creating a beautiful poem in English.
Matilda:	🌟Rishabh🌟	For trying his best in class with his reading, writing and behaviour. He is managing his distractions and staying on task
Key Stage 2:		
Rosen	🌟Nicole🌟	For being responsible in her learning and respectful to others.
Kinney	🌟Yousra🌟	For working incredibly hard to improve her English and to contribute in lessons.
Richards	🌟Jude🌟	For his improved learning behaviours inside and outside the classroom, brilliant end to the year!
Murphy	🌟Havisha🌟	For settling into her new class well and being safe and respectful in her new school.
Zephaniah	🌟Victoria🌟	For using her initiative to problem solve in maths
	🌟Jack🌟	For being able to articulate his thoughts and feelings through words.

KS1 Summer Awards

Nikhil (Pinocchio)	Maths	Nikhil has a broad understanding of number and mathematical concepts. He enjoys stretching and challenging his mind when it comes to maths calculations. When his friends need support, Nikhil is always willing to lend a hand.
Thibigka (Gruffalo)	Literacy	For always creating outstanding written work. Thibigka has worked really hard on her reading this year and has made fantastic progress with her comprehension as well as her fluency. She loves to help other children with their writing and can support them with the correct spelling of words.
Mukunthan (Pinocchio)	Science	Mukunthan has an enquiring mind and has enjoyed taking part in our class experiments. He enjoyed learning about minibeasts and exploring the nature around our school.
Vedhasruthi (Pinocchio)	Humanities	Vedhasruthi has really enjoyed learning about the history and geography of Reading this term. She takes a keen interest in our class discussions. She has loved learning about the special places in our town and has shared her own experiences of exploring Reading.
Ishtiak (Matilda)	Art	Ishtiak is really creative in class. He takes his time with his artwork and tries his best. He amazed the whole class with his sewing skills. He also supports his friends to try their best at art. I have no doubt that he will continue to create masterpieces in school and beyond.

Alaiyah (BFG)	Resilience	Alaiyah has persevered and has been determined to learn regardless of the difficult year i.e. lockdown. She has shown resilience in class with her learning.
Antonia (Gruffalo)	Communication	When Antonia started at Civitas, she found it difficult to communicate her ideas but now she has greatly improved and can engage in discussions with her peers and adults. She has been developing her presentational speech as well as her explorative speech.
Varshitha (BFG)	Kindness	Varshitha always checks on her friends to make sure they are happy in class and on the playground. If they have lost anything she is the first to help them find it.
Silvijus (Matilda)	100% Attendance	His attendance has been consistent throughout year 2. This has enabled him to learn but also to form friendships and socialise since the lockdowns.
Yvie (Gruffalo)	Rights Respecting	Yvie is always ready, respectful and safe. She encourages others to follow the rules too. She supports other children in class that need her positive guidance. She respects the thoughts and opinions of her peers and builds upon their ideas.
Teni (Matilda)	Leadership	Teni knows how to work well in a group and direct other children respectfully to achieve the end goal. She listens to others and shares her ideas. When a child is stuck, she helps them.
Rayan (BFG)	Commitment to Excellence	For always following our school rules to be ready, respectful and safe. He is always committed to his learning and tries to challenge himself independently. He is a role model to his peers and guides them to also follow our school rules.

House Points

Well done to **Atmos** house for gaining the most house points this week

House:	Points this week:	Total:
Atmos	1670	4596
Terra	2333	5315
Aqua	1776	4863
Ignis	2809	6505

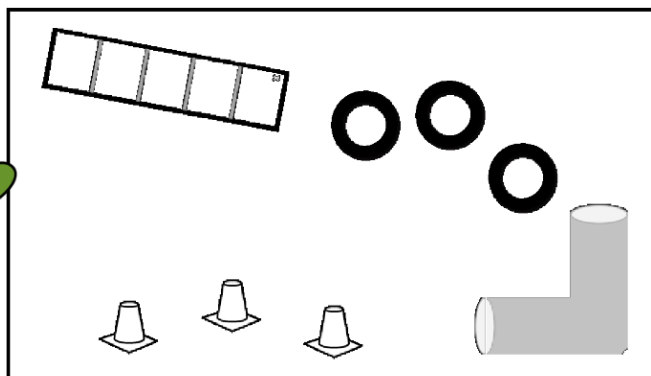
Attendance – Our overall school target for the year is 97% - let's work together to be in school everyday. Each week we will share attendance for each Year group for that week.

Year Group	11/6	18/6	25/6	02/7	09/7	16/7
Reception	92.0%	93.7%	90.8%	93.3%	93.3%	96.5%
Year 1	95.7%	94.6%	94.4%	91.3%	94.3%	94.9%
Year 2	96.4%	96.9%	94.3%	95.0%	96.8%	95.9%
Year 3	96.5%	98.0%	97.4%	96.1%	91.9%	96.2%
Year 4	98.5%	98.5%	94.2%	96.5%	98.7%	99.5%
Year 5	96.6%	96.8%	94.1%	95.2%	96.7%	97.0%

What have we been learning this week?

Reception

This week in literacy, our focus text was "Kipper's Holiday." We have been learning all about the seaside, different types of holidays that people go on and we have written postcards. In Maths we had great fun learning to make and follow treasure maps, as well as planning and creating obstacle courses. We have made seaside pictures using sand, have practiced our scissor and cutting skills through cutting and sticking items into a suitcase and have been pegging pairs of socks on a washing line, whilst counting in twos. We also learnt about beach safety and made beach safety posters.



Key Stage 1

Year 1 have been creating their own posters to advertise our town, Reading. In maths we have continued learning about time. In topic we are learning all about mural art and have explored creations by Banksy. We have also been inspired by the wonderful Oxford Road mural and created our own murals in art.



Year 2 have been writing poems this week about Grace O'Malley focusing on rhyming words. They have made progress since the last time we did rhyming words and more of the children are being creative with their poems. In Maths they have been recapping how to find fractions of shapes and amounts. In the afternoon, year 2 have learnt how to use maps and directional vocabulary for the human and physical geography in Reading. Year 2 looked amazing on pirate day and it was a full packed day of pirate themed activities.



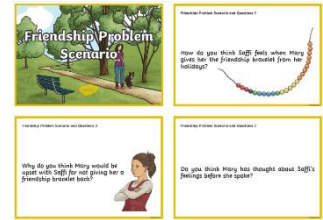
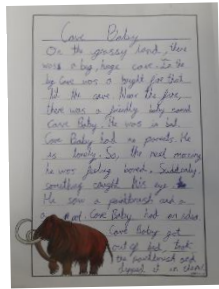
Key Stage 2

Year 3

This week in Year 3, we have continued our learning about the Iron Age and have looked at the artefacts and houses created during this time. In PSHE we have been learning about friendships and how to resolve conflicts in those friendships to build good relationships that benefit both people. In English, we wrote a story based on "Cave Baby" and made a creative change to the character or setting and later published our story to be displayed in the school. In maths, finished learning about grams and kilograms and are now learning about litres and millilitres and how to measure capacity of various jugs and cylinders and the volume of liquid they can hold. We had a fantastic time in sports practising stretching and different poses.



=



Year 4

In Year 4, we are pleased to announce our production of “Year 4 Change for Climate Change!” video is complete! This video was to show our parents and the people outside of the school all the amazing learning the Year 4s have done this half term on the Climate crisis, how we can stop it and who the famous names are in the Climate Change movement. Here is a link to watch the video:

[Year 4 Change for Climate Change. - YouTube](#)



Here are some pictures of the clip:

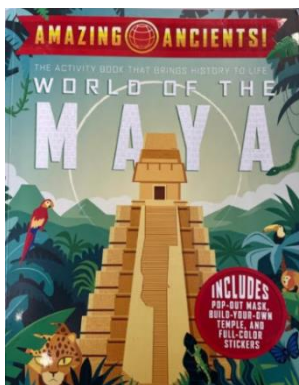


In English this week we were writing to our Local MP about our concerns about the environment around Reading and offering advice on how we can make Reading “greener”. In maths this week, we have finished our small topic on translation and movement on a graph and are now moving onto a consolidation week in maths, covering anything we missed or found a little harder this year.

As we get closer to finishing this year, Miss Parry and Miss Edwards would like to express that it has been a pleasure teaching your children this year and we will miss them greatly. Miss Parry would also like to thank Miss Edwards for everything she has done for her and the children this year! You will be missed!

Year 5:

In maths this week we have been using our skills to help us tell the time and work out the difference between volume and capacity. Does anyone remember what this is? During English we have become mini authors. We finished reading our world of the Maya booklet and started to prepare our own! We have picked four categories that we found interesting, and we have started to create our own booklet. We will finish publishing them next week. Some are going to go up on our Mayan display and the others are going to be kept for our current year 4's to read next year when they study the Maya. During our afternoon lessons we have been focusing on science! We have learnt about different materials and their properties; we created a table to help us compare similarities and differences between two materials. We also learnt all about different solvents and how they mix in water - we were lucky enough to test these out for ourselves! We loved seeing the bicarbonate of soda fizzing as it hit the water! The solvents we used to mix with water were sand, salt, bicarbonate of soda, sugar and cornflour. We let the solvents settle in the water before mixing them with a spoon to see what happened if we forced a reaction!



This year has gone so quickly, and we can't believe it is the summer holidays next Wednesday. Mr Williams and Mrs Rapley would like to say how proud we are of all the children in year 5 and all their hard work in what has been a tricky year at school! We have loved teaching you all and we hope you have a lovely and safe summer holidays – see you all in September! 😊

News items from this week

Leavers - It is always a little sad for us at this time of year when we have to say goodbye to some members of our staffing team. We have been very lucky that for the last few years both Miss Bradburn and Miss Edwards have been travelling in from Oxfordshire every day to teach our children in our school. Sadly, they are now both going to be working in schools nearer their homes. We are extremely grateful for everything they have contributed to our school; Miss Bradburn has led on our phonics and Miss Edwards has been our Art lead, we wish you every success in your new schools. We also want to say thank you to Mr Milstead who has shared his many talents with us, be they his artistic skills or his sporting ones! We wish you every happiness in your new adventure.

Parent Survey - As we approach the end of the academic year, we would like to invite all of our Civitas Parents and Carers to complete a parent survey. Please click here to complete: [Parent Survey](#)

Universal Infant Free School Meals – for Year 2 students moving up to Year 3, government funding for free school meals in Key Stage 2 stops. School lunches are still available to order for children in Year 3 and above, these can be ordered and paid for via Tucasi.

If your child is in receipt of Free School Meals/Pupil Premium they will still receive a free school meal.

If over the last year your circumstances have changed, and you are now in receipt of Universal Credits from the government we can run a Free School Meal (FSM) eligibility check. Please complete this form: [FSM Eligibility Check Form](#)

Date:	Activity:
Ongoing	Drop off – 8:40 – 9:00am
Monday 19 th July	School reports sent via email/Year 5 letter regarding secondary schools
Wednesday 21 st July	Last day of school/Wellbeing Wednesday